



VAT Number: \_\_\_\_\_



<http://www.facebook.com/Makrakcc>

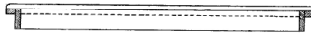

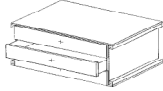
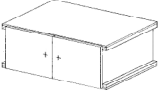
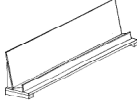
**Address:** Unit 23 , Drill Park , 3 Drill Av. , Montague Gardens  
**Tel:** (021) 551-6677 / 551-0427      **Fax:** (021) 551-0885

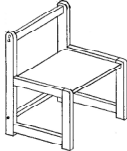
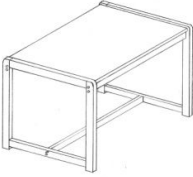

INVOICE       **QUOTATION/ ORDER FORM**      DATE

<b>COMPANY CONTACT</b>		<b>TEL</b>	
		<b>FAX</b>	
<b>ADDRESS</b>		<b>NOTES:</b>	
		How did you get to hear of us? <input type="checkbox"/>	

COMPONENT		CODE	SIZES (mm)	PRICES (excl. VAT)			NO. OFF	COST
				STD	SLIM	T&G		
Flat shelves		S3	900 x 300	R	R	R		
		S4	900 x 400	R	R	R		
		S5	900 x 500	R	R	R		
		S6	900 x 600	R	R	R		
Angled shelves		AS3	900 x 300	R	R	R		
		AS4	900 x 400	R	R	R		
		AS5	900 x 500	R	R	R		
		AS6	900 x 600	R	R	R		
Wine shelf + Reducers		WR	900 x 300		R			
		WR4:3	900 x 300		R			
		WR5:3	900 x 300		R			
		WR6:3	900 x 300		R			
Reducers		R3:4/R4:3	900 x 300	R	R	R		
		R3:5/R5:3	900 x 300	R	R	R		
		R3:6/R6:3	900 x 300	R	R	R		
		R4:5/R5:4	900 x 400	R	R	R		
		R4:6/R6:4	900 x 400	R	R	R		
		R5:6/R6:5	900 x 500	R	R	R		
<b>Uprights</b> (holes drilled @ 130mm intervals)		Max Shelves						
	5	UP5 (56)	600		R			
		UP5 (94)	600		R			
	9	UP9 (56)	1120		R			
		UP9 (94)	1120		R			
	14	UP14 (56)	1770		R			
		UP14 (94)	1770		R			
	16	UP16 (56)	2030		R			
		UP16 (94)	2030		R			
18	UP18 (56)	2290		R				
	UP18 (94)	2290		R				
Bases		B3	300		R			
		B4	400		R			
		B5	500		R			
		B6	600		R			
X - Braces		CB	1200/900		R			

*Finish ?( )= R _____ incl. vat	<b>SUB-TOTAL</b>	R
	<b>DELIVERY/ASSEMBLY</b>	R
	<b>NETT COST</b>	R
	<b>VAT</b>	R
	<b>TOTAL COST</b>	R
01/05/2015	<b>GRAND TOTAL (incl.) = R _____</b>	
C:M-RSHARED/MASTER/QUOTATIONORDERFORM/quote.order		

COMPONENT		CODE	SIZE (mm)	AREA	PRICE	NO. OFF	COST
Pine Veneer Tops		T1S3	440	0.88	R		
		T1S4	540	1.08	R		
		T1S5	640	1.28	R		
		T1S6	740	1.48	R		
Pine Ply	Sides	6PPS	PER SQ. M		R		
	Backs	6PPB	PER SQ. M		R		
Hang Rods		HRS-S6	900 x 600		R		
400 High Toy Box on Casters		TB 4S	790 x 410	2.72	R		
		TB 5S	790 x 510	2.83	R		
Drawers (900 Long)		Width					
		400	1 DRW4	282 high	1.32	R	
		500	2 DRW4	408/412 Ht.	1.54	R	
		600	3 DRW4	538/542 Ht.	1.76	R	
Cabinets (412 High)		CAB 4	900 x 400	2.82	R		
		CAB 5	900 x 500	3.34	R		
		CAB 6	900 x 600	3.86	R		
Pattern Shelves		CTPS	850 x 160	1.00	R		
Fabric Roll Shelves		FRS 1	900 x 1120	2.68	R		
		FRS 2	900 x 1500	3.58	R		

VERO Furniture	Chair		VERO C	350 x 350	0.21	R		
	Table		VERO T	746 x 490	0.90	R		
	Bunk		VERO B	690 x 370	0.78	R		
						<b>SUB-TOTAL</b>	R	
						<b>DELIVERY/ASSEMBLY</b>	R	
						<b>NETT COST</b>	R	
						<b>VAT</b>	R	
						<b>TOTAL COST</b>	R	
01/05/2015								
C:MASTER/QUOTE.ORDER								